

## 12" Light Duty Panel Computer - PS3650A Series



TouchPanel  
Operation



12.1-inch TFT Color LCD  
Panel Computer

**PS-3650A**

Models: PS3650TA-CM13-5M-2M40, PS3650TA-CM13-5M-XM40, PS3650TA-CM13-1G-CM13-2M40, PS3650TA-CM13-1G-XM40

CPU: Intel Celeron M 1.3GHz

AC100/240V	12-inch
XGA	

All-in-one model | Windows 2000 | Windows XP



### Features:

- 12-inch (XGA 1024x768) TFT Touch Panel Computer
- Intel® Celeron® M 1.3GHz
- 40 GB Hard Drive
- Aluminum Housing
- Reliability, Availability, Serviceability (RAS) features
- NEMA 4x/12 Rated
- RoHS Directive-conforming
- Boot from HDD or CF Card

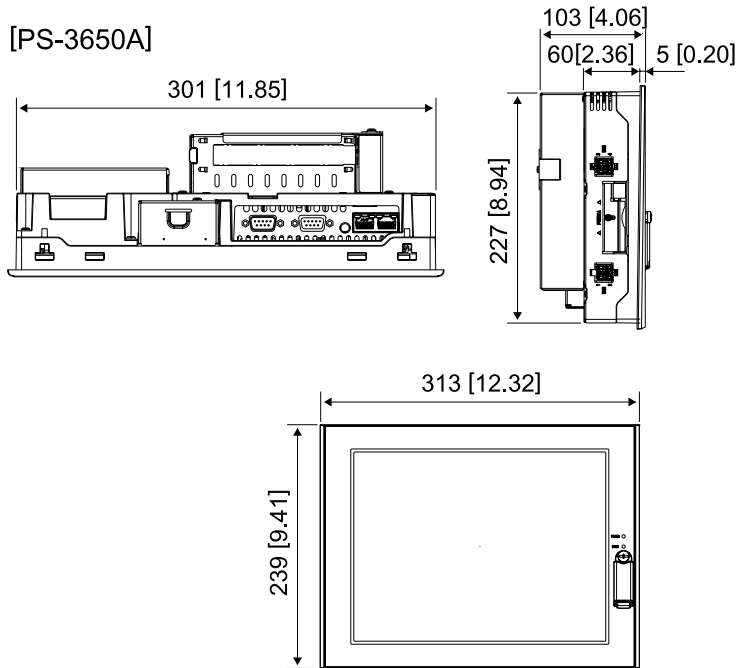
### Performance Specifications

Model	PS3650TA-CM13-1G-2M40, PS3650TA-CM13-1G-XM40 PS3650TA-CM13-5M-2M40, PS3650TA-CM13-5M-XM40
Supported OS	Windows 2000 (2M40) - Windows XP (XM40)
CPU	Intel® Celeron® M 1.3GHz
Standard Memory	512 Megabytes/1GB
Maximum Memory	1 Slot 1GB Max.
Graphics Display Resolution	XGA (1024 x 768 dots)
Video Memory	Max. 64MB (When using Windows®) UMA Type
Display Type and Size	TFT Color LCD (12 inch)
Display Colors	256K Colors
Display Area	245.76mm [9.68in.] x 184.32mm [7.26in.]
Touch Screen	Resistive Film (Analog) Touch Screen
Serial (RS 232C)	COM1: D-sub 9 pin (plug) (RI/+5V switchable)
LAN	Rear 2 ports. RJ-45 type modular jack connector (8 pins). LAN1: auto change to 10BASE-T/100BASE-TX LAN2: auto change to 10BASE-T/100BASE-TX
USB	USB 2.0 compatible side 4 ports. Disable by hardware setting. USB 1.1 front face port
Sound	Stereo Speaker output Connector. Mini Pin Jack.
Disk	40 GB Hard Drive. IDE I/F. Master: 2.5 inch HDD I/F. Slave: CF Card I/F (not hot-swappable). Switchable to Master by hardware setting.
PCMCIA	1 PCMCIA Type II port, Type III can be available. Corresponding to CARD BUS (Excluding Zoomed Video, SOUND functions)
PCI	Rev.2.2 compatible PCI I/F (5V) 1 Port Slot Length: Depth 174.63mm[6.88in.] x Height 106.68mm[4.2in.]

### General Specifications

Input Voltage	AC100 / 240V (Rated Voltage AC85 to 265V)
Power Consumption	110VA or less
Allowable Voltage Drop	1 cycle or less (Voltage drop interval must be 1s or more.)
Voltage Endurance	AC1500V 20mA for 1 minute (between charging and FG terminals)
Insulation Resistance	DC500V 10MΩ(min.) (between charging and FG terminals)
Certifications	UL508, CE, CSA-C22.2 No.142-M1987, EN55011 Class A, EN61000-6-2, EN60950, RoHS
Temperature	Operating Temperature 0 to 50°C without HDD; 5 to 50°C with HDD. Storage Temperature -10 to +60°C
Humidity - Ambient/Storage	10 to 85% RH (Not condensing, wet bulb temperature: 29°C or less).
Corrosive Gas	Free of corrosive gases
Noise Immunity	Noise Voltage: 1500Vp-p, Pulse Duration: 50ns, 500ns, 1μs, Rise Time: 1ns (via noise simulator)
Cooling Method	Forced Air Cooling by Fan
Electrostatic Discharge Immunity	6kV (complies with EN 61000-4-2 Level 3)
Vibration Resistance	without HDD - IEC61131-2 compliant. 5 to 9Hz single-amplitude 3.5mm, 9 to 150Hz constant-accelerated velocity 9.8m/s². X,Y,Z directions for 10 cycle (100 minute) with HDD - 4.9m/s² (10 to 25Hz X, Y, Z directions for 30 minute each)
Rating	Equivalent to IP65f NEMA #250 TYPE 4X/12. (Not using front USB)
Weight	Approx. 4.5kg [9.9lb] (unit only)
External Dimensions	313mm [12.32in.] W x 239mm [9.41in.] H x 103mm [4.06in.] D
Warranty	One (1) year

## PS-3650A - External Dimensions



Unit: mm[in]

## Ordering Information

Part Number	Description
PS3650TA-CM13-1G-2M40	12" TFT Color LCD, 1GB, Windows 2000 OS
PS3650TA-CM13-1G-XM40	12" TFT Color LCD, 1GB, Windows XP OS
PS3650TA-CM13-5M-2M40	12" TFT Color LCD, 512 Megabyte, Windows 2000 OS
PS3650TA-CM13-5M-XM40	12" TFT Color LCD, 512 Megabyte, Windows XP OS

## Optional Items

Product Name	Part Number
DIMM Memory Module*3	512 MB PSA-DDR512
	1GB PSA-DDR1G
HDD Unit *2	40 GB PS365XA-HD40
CF Card	256MB CA3-CFCALL/256MB-01
	512MB CA3-CFCALL/512MB-01
	1GB CA6-CFCALL/1GB-01
Installation Fasteners *1	CA3-ATFALL-01
Backlight (2 pieces/set for 1 unit)	CA5-BLU12XGA-01
Screen Protection Sheet (5 sheets/set)	CA3-DFS10-01

\*1 Standard attachment for all models.

\*2 Not installed with operating system.

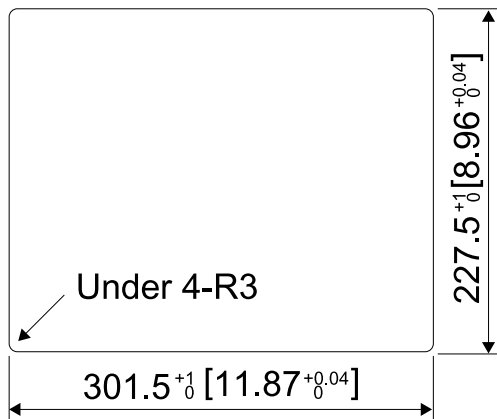
\*3 Unit has only one memory socket.

**Caution:** Before operating any of these products, please be sure to read all related manuals thoroughly.

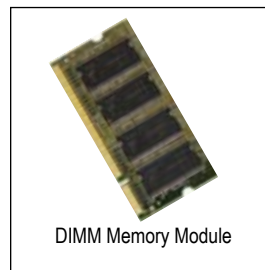
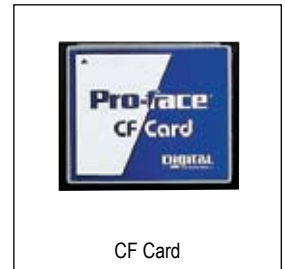
- All product names used in this document are trademarks or registered trademarks of their respective companies.
- All information contained in this document is subject to change without notice.

## PS-3650A - Cut-Out Dimensions

### Panel Cut-out



Unit: mm[in]



**Pro-face America**  
 Phone: 734.429.4971  
 Fax: 734.429.1010  
 www.profaceamerica.com

**Customer Service Hotline: 734.944.0482**

For more information  
**ACCESS** [www.profaceamerica.com](http://www.profaceamerica.com)

