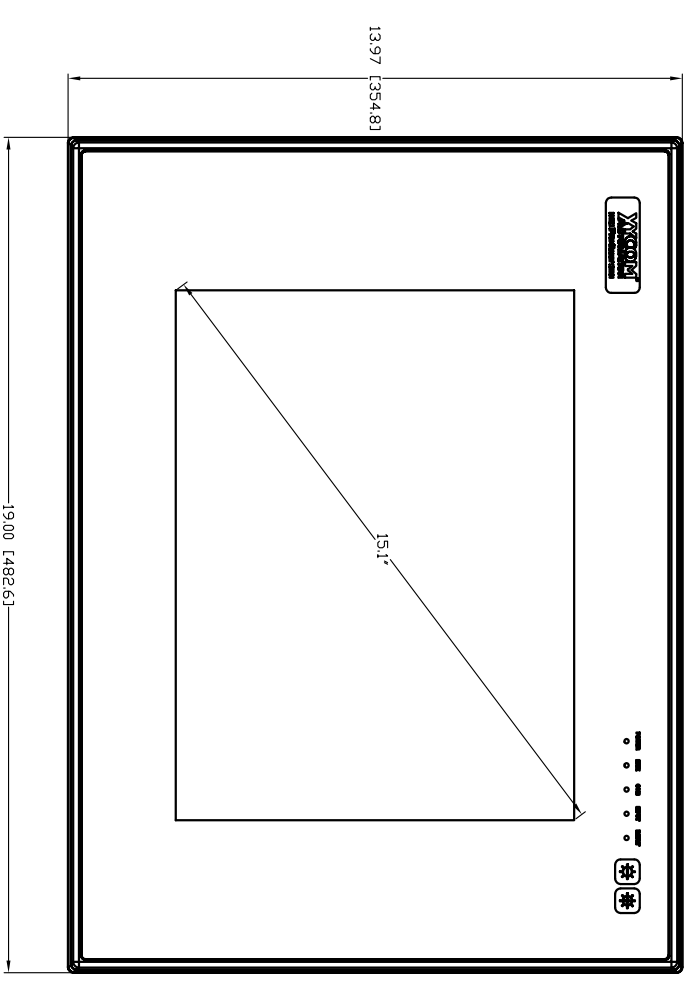
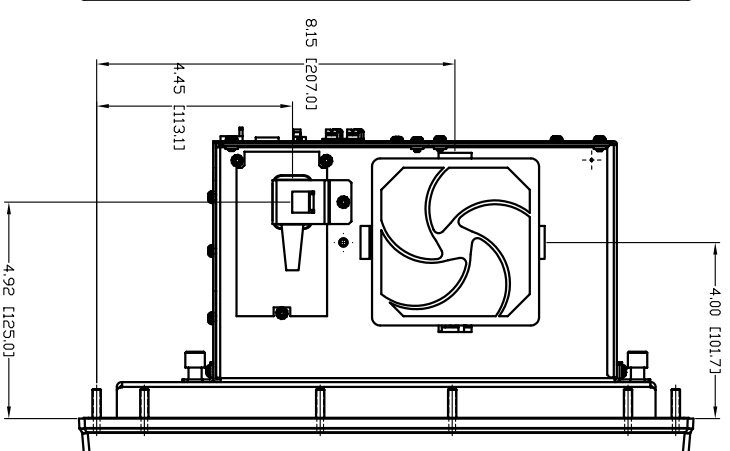
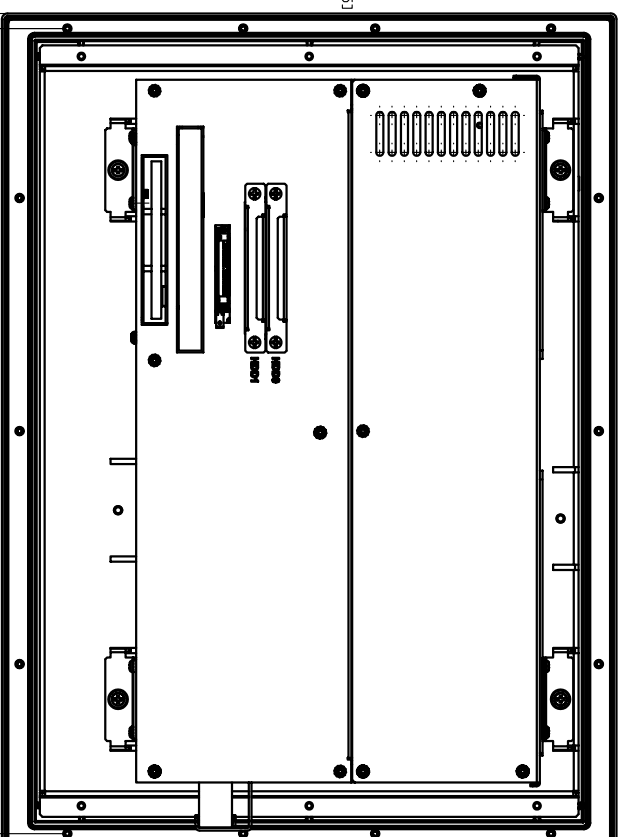
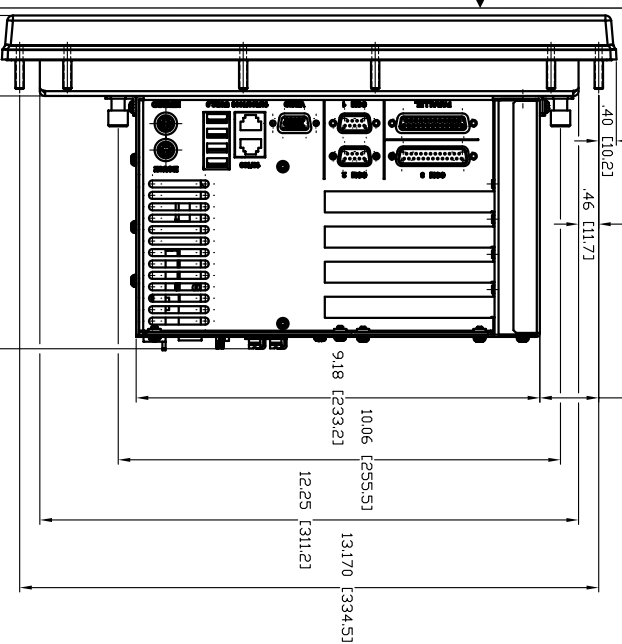
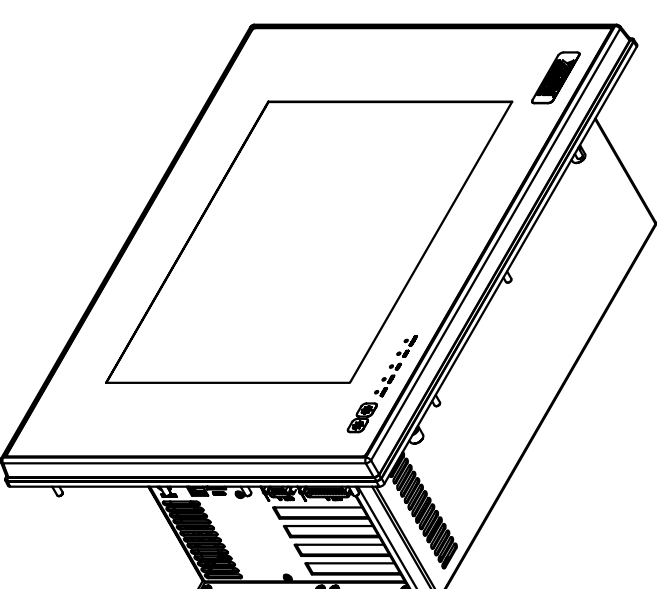
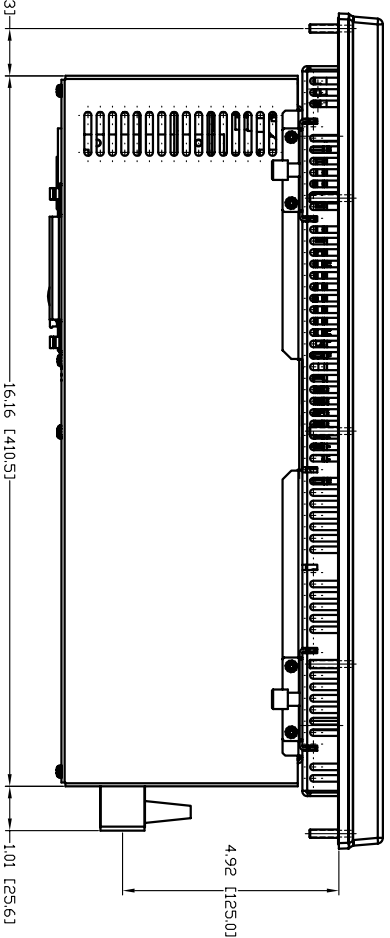
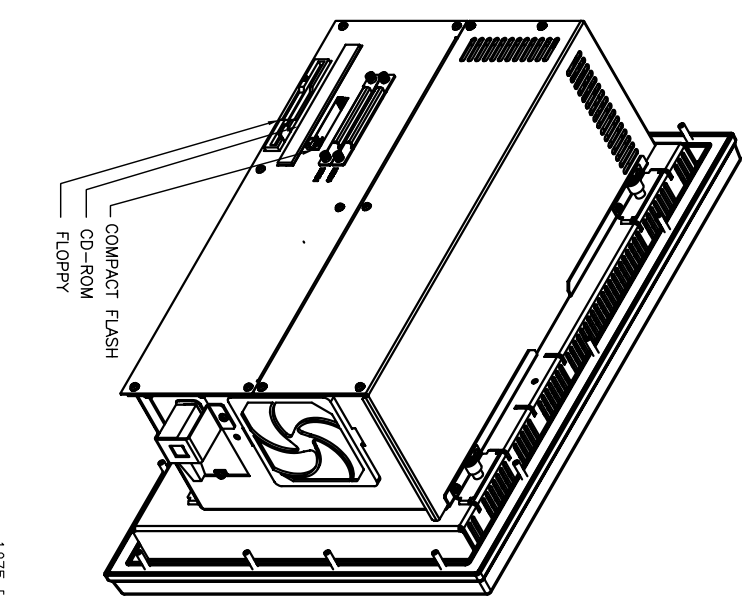
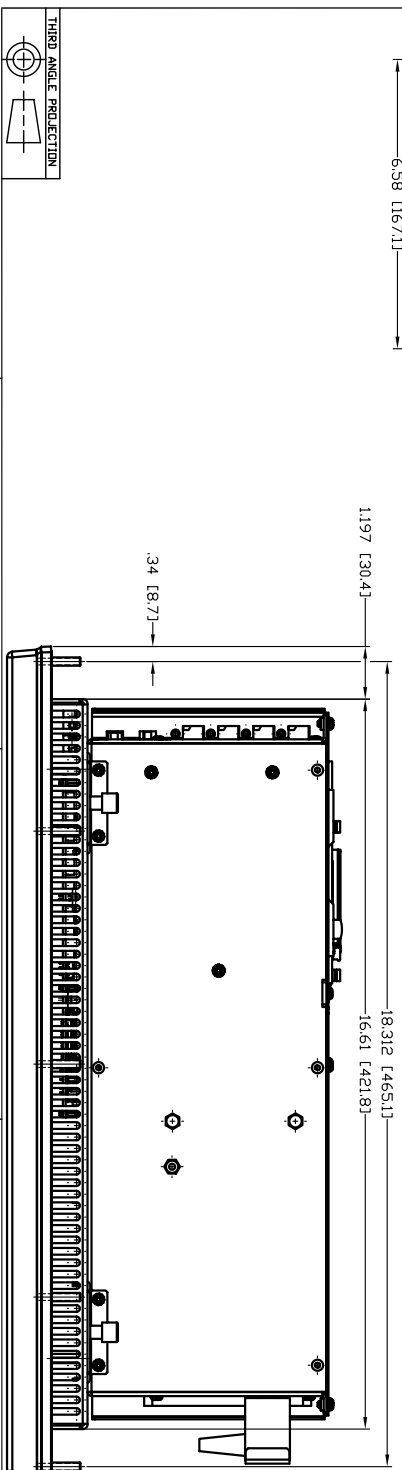


REVISION BLOCK			
DWG. PART	ECO. NO.	DESCRIPTION	DR. DATE
ISSUE	REV.	FOR REFERENCE ONLY	CK. DATE
1	A		E.R. 8/29/06

VERTICAL MOUNTING



FOR REFERENCE ONLY



TOLERANCES		SIGNATURES	
DR	HE	EROTMAN	EE
CK	OK		
FIRST USED ON MODEL		CD/DA	HTG.
ASSOCIATED DRAWINGS		RELEASE	
TOLERANCES UNLESS OTHERWISE SPECIFIED ARE:		TITLE	
FRACTIONAL DIMENSIONS ARE:		MYGOM 750 N. MAPLE RD.	
DECIMAL DIMENSIONS ARE:		AUTOMATION SALINE, MI. 48170	
HOLE DIA. 1.00		SCALE	
HOLE DIA. 1.50		FULL	
HOLE DIA. 2.00		1/8" = 1"	
HOLE DIA. 2.50		DATE	
HOLE DIA. 3.00		4-7-15T	
HOLE DIA. 3.50		DWG. NO.	
HOLE DIA. 4.00		144820	

